

McCALL®

Compact Refrigerators & Freezers

Service, Installation and Care Manual

Please read this manual completely before attempting to install or operate this equipment!
Notify carrier of damage! Inspect all components immediately. See page 3.



CAUTION

**IMPORTANT INFORMATION
READ BEFORE USE
PLEASE SAVE THESE INSTRUCTIONS!**

June 2010

Contents

Receiving & Inspecting Equipment..... 2

Specifications..... 3

Installation 3

Caster Installation 4

Caster/Leg Mounting Detail 4

Operation 5

Door Maintenance..... 5

Defrosting 5

Door Hinge Reversal Instructions 6

Door Hinge Reversal Templates 7

Maintenance..... 8-9

Wiring Diagrams 10

Replacement Parts Lists 11-12

Standard Labor Guidelines..... 13

Manufacturers Limited Warranty 14

Standard Warranties 15

Serial Number Location

The serial number is located on either the right side interior back wall or under the top nosing directly above the right door.

Always have the serial number of your unit available when calling for parts or service. A complete list of authorized McCall parts depots is on www.mccallrefrigeration.com.

This manual covers standard units only. If you have a custom unit, consult the customer service department at 1-888-732-2446

©2010 McCall. All rights reserved. Reproduction without written permission is prohibited.

Receiving And Inspecting The Equipment

Even though most equipment is shipped crated, care should be taken during unloading so the equipment is not damaged while being moved into the building.

1. Visually inspect the exterior of the package and skid or container. Any damage should be noted and reported to the delivering carrier immediately.
2. If damaged, open and inspect the contents with the carrier.
3. In the event that the exterior is not damaged, yet upon opening, there is concealed damage to the equipment notify the carrier. Notification should be made verbally as well as in written form.
4. Request an inspection by the shipping company of the damaged equipment. This should be done within 10 days from receipt of the equipment.
5. Check the lower portion of the unit to be sure legs or casters are not bent.
6. Be sure to check the compressor compartment housing and visually inspect the refrigeration package. Be sure lines are secure and base is still intact.
7. Freight carriers can supply the necessary damage forms upon request.
8. Retain all crating material until an inspection has been made or waived.

Specifications

Work top refrigerator or freezer bases with stainless steel top & backsplash

Model	Description	L	D	H	Storage Ft. ³	Shelves Ft. ²	H.P.	Refr. Charge	Amp	NEMA Plug	Ship Weight
MCCSTR27	refrigerator	27.25" (69cm)	28.50" (72cm)	39.50" (100cm)	5.7	7.2	1/5	7.0	4.0	5-15P	176lbs (80kg)
MCCSTF27	freezer	27.25" (69cm)	28.50" (72cm)	39.50" (100cm)	5.7	7.2	1/5	7.0	5.8	5-15P	176lbs (80kg)
MCCSTR48	refrigerator	48.00" (121.9cm)	28.50" (72cm)	39.50" (100cm)	11.4	13.0	1/5	7.0	4.0	5-15P	234lbs (106kg)
MCCSTF48	freezer	48.00" (121.9cm)	28.50" (72cm)	39.50" (100cm)	11.4	13.0	1/3	7.0	5.8	5-15P	234lbs (106kg)

Undercounter refrigerator or freezer bases with stainless steel top

Model	Description	L	D	H	Storage Ft. ³	Shelves Ft. ²	H.P.	Refr. Charge	Amp	NEMA Plug	Ship Weight
MCCR27	refrigerator	27.25" (69cm)	28.50" (72cm)	35.50" (90cm)	5.7	7.2	1/5	7.0	4.0	5-15P	176lbs (80kg)
MCCF27	freezer	27.25" (69cm)	28.50" (72cm)	35.50" (90cm)	5.7	7.2	1/5	7.0	5.8	5-15P	176lbs (80kg)
MCCR48	refrigerator	48.00" (122cm)	28.50" (72cm)	35.50" (90cm)	11.4	13.0	1/5	7.0	4.0	5-15P	236lbs (107kg)
MCCF48	freezer	48.00" (122cm)	28.50" (72cm)	35.50" (90cm)	11.4	13.0	1/3	7.0	5.8	5-15P	236lbs (107kg)

Installation

Location

Units represented in this manual are intended for indoor use only. Be sure the location chosen has a floor strong enough to support the total weight of the cabinet and contents. Reinforce the floor as necessary to provide for maximum loading.

For the most efficient refrigeration, be sure to provide good air circulation inside and out.

Inside cabinet: Do not pack refrigerator so full that air cannot circulate.

Outside cabinet: Be sure that the unit has access to ample air. A minimum space of 3" (7.6cm) at the back of the unit and 1" (2.5cm) at the top and sides is required to conform to Underwriters Laboratories' standards. On undercounter units it is imperative that the proper air flow be maintained. The refrigeration system is designed so air will flow under the unit, over the compressor/condenser area, and out at the top rear of the unit. Avoid hot corners and locations near stoves and ovens.



Any restriction of the proper air flow outlined above, total or partial, will void the warranty on the unit.

Leveling

A level cabinet will perform better because the drain pan will drain properly, the doors will line up with the frames and the cabinet will not be subject to undue strain.

All four legs are adjustable. Adjust each leg until the unit is stable and level left to right. If necessary adjusting the front legs slightly higher than the rear by about 1/8" (0.3cm) will help the doors remain closed.

If the unit is supplied with casters, no adjustments are available. Ensure the floor where the unit is to be located is level.



Never stand on the unit! Doing so may result in bodily injury. They are not designed to hold the weight of an adult and will collapse if misused in this manner.

Stabilizing

Some models are supplied on casters for your convenience, for ease of cleaning underneath and mobility.



The unit must be installed in a stable condition with the front wheels locked. Locking the front casters after installation is the owner's and operator's responsibility.

Plumbing

Self-contained models are standard with a condensate evaporator. If, for some reason, a unit does not have a condensate evaporator, or the evaporator fails, the unit's drain must have an outlet to an appropriate drainage area or container.



Moisture collecting from improper drainage can create a slippery surface on the floor and a hazard to employees. It is the owner's responsibility to provide a container or outlet for drainage.

Electrical connection

Refer to the amperage data on page 3, the serial tag, your local code or the National Electrical Code to be sure the unit is connected to the proper power source. A protected circuit of the correct voltage and amperage must be run for connection of the line cord, or permanent connection to the unit.

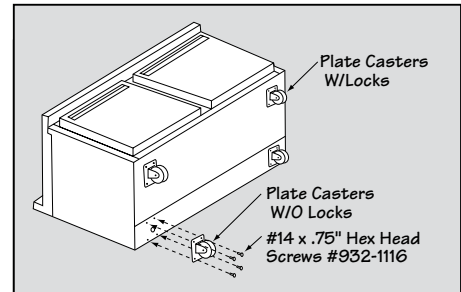
A 7' (2.1 m) long grounded supply cord and plug are provided with standard units. Simply plug the unit in to begin operation.



The thermostat must be turned to OFF and the unit disconnected from the power source whenever performing service, maintenance functions or cleaning the refrigerated area.

Caster Installation

1. Carefully place the unit on its back (see illustration at right).
2. Remove legs by unscrewing them in a counter clockwise direction.
3. Located on each end of the compressor channel are 4 hex head screws, for a total of 8 screws. Remove them. 8 additional screws are provided with your casters.
4. Place a locking plate caster over one of the front holes, matching the 4 mounting holes to the pre-drilled holes in the underside of the unit. Insert 4 hex head screws and tighten. Repeat with the other locking front casters.
5. Repeat step 4 with the non-locking casters in the rear of the unit.
6. Carefully lift the unit upright.

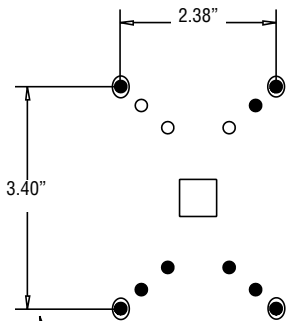


After installing casters, the unit must stand upright for twenty-four (24) hours before being powered up to assure oil return to the compressor sump.

Caster/Leg Mounting Detail

2", 3" and 5" Caster and Leg Mounting Detail

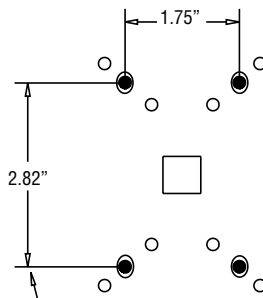
A universal bolt hole pattern is provided on the bottom of the cabinet. It will accommodate any leg or caster. Simply line up the plate holes with the corresponding cabinet holes.



NOTE:

If hole pattern on caster/leg matches the one above mount in outer set of holes.

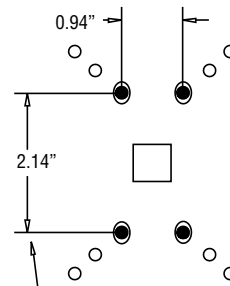
6" Leg - 3234569



NOTE:

If hole pattern on caster/leg matches the one above mount in middle set of holes.

3" Caster - 3234024
5" Caster - 3234161



NOTE:

If hole pattern on caster/leg matches the one above mount in inner set of holes.

2" Caster - 3234148

Operation

After the unit is connected to power it will automatically begin operating. With the doors closed, the temperature of the cabinet should reach 36°F to 40°F (2°C to 4°C) on refrigerators or 0°F (-18°C) on freezers in about one hour.

Temperature control instruction

Refrigerators: A thermostat located in the evaporator housing on interior rear of the unit, controls the temperature in the box. The factory setting for the control is “4” and maintains about 38°F (3°C) in the box. Set toward “1” for higher temperatures

and toward “7” for lower temperatures.

Freezers: A thermostat located in the evaporator housing on interior rear of the unit, controls the temperature in the box. The factory setting for the control is “4” and maintains about -3°F (-18°C) in the box. Set toward “1” for higher temperatures and toward “7” for lower temperatures.

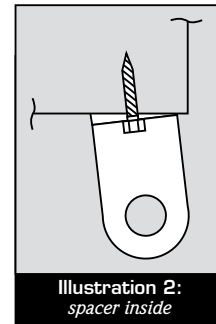
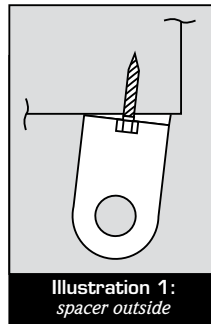
Continuous opening and closing of the doors will hamper the unit's ability to maintain optimum refrigeration temperature.

Door Maintenance

Adjusting door hinges

Doors have been adjusted at the factory. If it becomes necessary to adjust a door, follow these instructions:

- 1) If the door needs lowering at the handle, use a 5/16” wrench to loosen the hinge screws and install a spacer outside of the hinge (see illustration 1). Tighten the screws.
- 2) If the door needs to be higher at the handle, use a 5/16” wrench to loosen the hinge screws and install a spacer inside of the hinge (see illustration 2). Tighten the screws.



Defrosting

Refrigerators

Refrigerators defrost automatically with every cycle of the compressor. The water generated is routed to a pan on the rear of the unit and is evaporated by the heat given off by the compressor.

Freezers

When defrost control goes into defrost, power to the condensing unit and evaporator fans is interrupted and the defrost heater is energized. The defrost heater warms the evaporator coil thereby melting all frost accumulated during the previous

refrigeration cycle. Once all frost is eliminated, the temperature of the coil continues to rise until it reaches 27 minutes. The defrost control switches to refrigeration mode. Defrost will initiate every six hours.



Turn the screw **ONLY** in a clockwise direction, turning the screw counter-clockwise will break the cam motor.

Door Hinge Reversal Instructions

Units with reversible doors will have 2 extra screws on the bottom of the door. Follow these instructions to reverse the door hinging if applicable.



Disconnect power before beginning work.

1. Tip unit back and use a screwdriver to remove the bottom hinge pin. Note that lock-tight was used during factory installation, so extra force may be required to “break” the hinge pins loose.
2. Tilt door out from bottom and slide top pin out of the hinge bracket. Remove top hinge pin.
3. Use a screwdriver to remove 2 screws and handle from top of door.
4. Flip door upside down. Remove two screws, then install the handle using the screws removed in step 3.
5. Insert the 2 screws removed in step 4 into old screw locations.
6. Remove top and bottom hinge brackets from cabinet face.
7. Use templates (found on the next page) to locate holes as shown to the right. Use a 1/8” drill for pilot holes being certain to drill through both the face frame AND the metal backing plate.
8. Install top and bottom hinge brackets in new locations.
9. Install top hinge pin into top of door, then slide top door hinge pin into top hinge bracket and close door onto cabinet face.
10. Install bottom hinge pin through bottom hinge bracket and into door.
11. Fill the holes in the face frame at original hinge locations with #10 sheet metal screws (not provided).

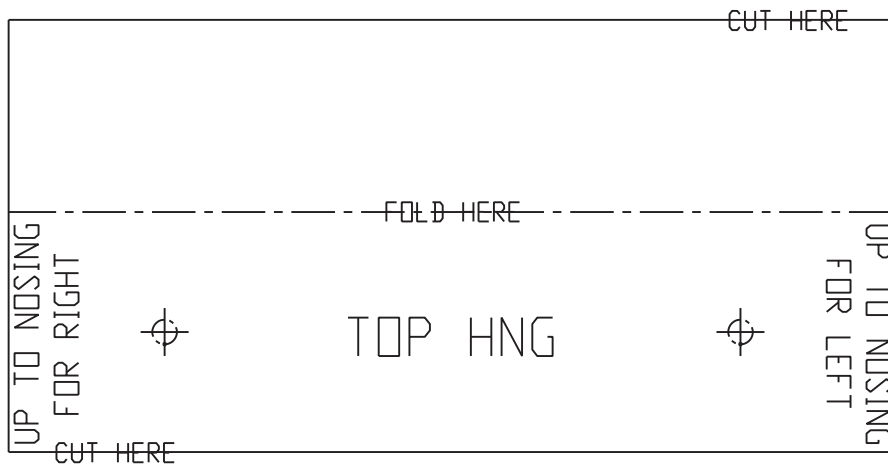
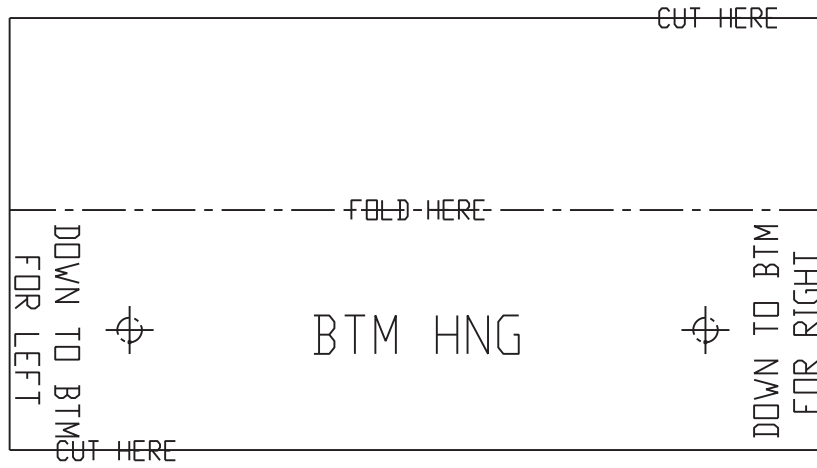


Top hinge template up to unit nosing



Bottom hinge template down to unit bottom

Door Hinge Reversal Templates



Maintenance



The thermostat must be turned to OFF and the unit disconnected from the power source whenever performing service, maintenance functions or cleaning the refrigerated area.

Refrigerators and Freezers

The interior and exterior can be cleaned using soap and warm water. If this isn't sufficient, try ammonia and water or a nonabrasive liquid cleaner. When cleaning the exterior, always rub with the "grain" of the stainless steel to avoid marring the finish.

Do not use an abrasive cleaner because it will scratch the stainless steel and plastic and can damage the breaker strips and gaskets.

Cleaning the Condenser Coil

The condenser coil requires regular cleaning, recommended is every 90 days. In some instances though you may find that there is a large amount of debris and dust or grease accumulated prior to the 90 day time frame. In these cases the condenser coil should be cleaned every 30 days.

If the build up on the coil consists of only light dust and debris the condenser coil can be cleaned with a simple brush, heavier dust build up may require a vacuum or even compressed air to blow through the condenser coil.

If heavy grease is present there are de-greasing agents available for refrigeration use and specifically for the condenser coils. The condenser coil may require a spray with the de-greasing agent and then blown through with compressed air.

Failure to maintain a clean condenser coil can initially cause high temperatures and excessive run times, continuous operation with dirty or clogged condenser coils can result in compressor failures. Neglecting the condenser coil cleaning procedures will void any warranties associated with the compressor or cost to replace the compressor.



Never use a high pressure water wash for this cleaning procedure as water can damage the electrical components located near or at the condenser coil.

In order to maintain proper refrigeration performance, the condenser fins must be cleaned of dust, dirt and grease regularly. It is recommended that this be done at least every three months. If conditions are such that the condenser is totally blocked in three months, the frequency of cleaning should be increased. Clean the condenser with a vacuum cleaner or stiff brush. If extremely dirty, a commercially available condenser cleaner may be required.

Stainless Steel Care and Cleaning

To prevent discoloration or rust on stainless steel several important steps need to be taken. First, we need to understand the properties of stainless steel. Stainless steel contains 70-80% iron which will rust. It also contains 12-30% chromium which forms an invisible passive film over the steels surface which acts as a shield against corrosion. As long as the protective layer is intact, the metal is still stainless. If the film is broken or contaminated, outside elements can begin to breakdown the steel and begin to form rust or discoloration.

Proper cleaning of stainless steel requires soft cloths or plastic scouring pads.



NEVER USE STEEL PADS, WIRE BRUSHES OR SCRAPERS!

Cleaning solutions need to be alkaline based or non-chloride cleaners. Any cleaner containing chlorides will damage the protective film of the stainless steel. Chlorides are also commonly found in hard water, salts, and household and industrial cleaners. If cleaners containing chlorides are used be sure to rinse repeatedly and dry thoroughly upon completion.

Routine cleaning of stainless steel can be done with soap and water. Extreme stains or grease should be cleaned with a non-abrasive cleaner and plastic scrub pad. It is always good to rub with the grain of the steel. There are also stainless steel cleaners available which can restore and preserve the finish of the steels protective layer.

Early signs of stainless steel breakdown can consist of small pits and cracks. If this has begun, clean thoroughly and start to apply stainless steel cleaners in attempt to restore the passivity of the steel.



Never use an acid based cleaning solution! Many food products have an acidic content which can deteriorate the finish. Be sure to clean the stainless steel surfaces of ALL food products. Common items include, tomatoes, peppers and other vegetables.

Maintenance continued

If your freezer seems to vibrate excessively when the compressor is running, loosen (but do not remove) the bolts on the compressor. Semi hermetic models should be loosened before operating.

BASIC MAINTENANCE

Gasket Maintenance

Gaskets require regular cleaning to prevent mold and mildew build up and also to keep the elasticity of the gasket. Gasket cleaning can be done with the use of warm soapy water. Avoid full strength cleaning products on gaskets as this can cause them to become brittle and prevent proper seals. Also, never use sharp tools or knives to scrape or clean the gasket which could possibly tear the gasket and rip the bellows.

Gaskets can easily be replaced and do not require the use of tools or authorized service persons. The gaskets are "Dart" style and can be pulled out of the groove in the door and new gaskets can be "pressed" back into place.

Doors/Hinges

Over time and with heavy use doors the hinges may become loose. If it is noticed that the door is beginning to sag, it may become necessary to tighten the screws that mount the hinge brackets to the frame of the unit. If the doors are loose or sagging this can cause the hinge to pull out of the frame which may damage both the doors and the door hinges. In some cases this can require qualified service agents or maintenance personnel.

Drain Maintenance

Each unit has a drain located inside the unit which removes the condensation from the evaporator coil and evaporates it at an external condensate evaporator pan. Each drain can become loose or disconnected from moving or bumping the drain. If you notice excessive water accumulation on the inside of the unit be sure the drain tube is connected from the evaporator housing to the condensate evaporator drain pan. If water is collected underneath the unit you may want to check the condensate evaporator drain tube to be sure it is still located inside the drain pan. The leveling of the unit is important as the units are designed to drain properly when on a level surface, if your floor is not level this can also cause drain problems. Be sure all drain lines are free of obstructions, typically food product is found blocking drain lines causing water to back up and overflow the drain pans.

Refrigeration cycle

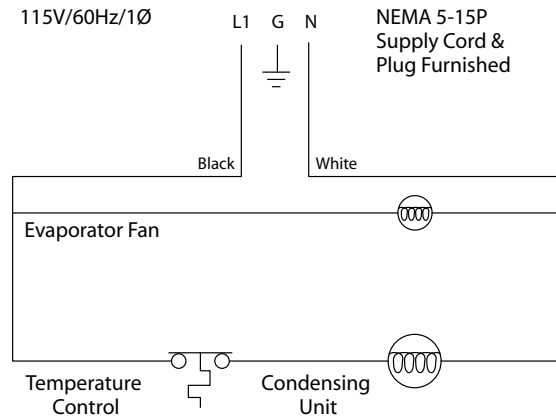
Refrigerators: During the refrigeration cycle the evaporator fans will run continuously with the exception of door openings. The door switch will activate the lights when opened and turn power off to the evaporator fan motors.

The temperature control allows for the evaporator coil to clear after each off cycle and before the compressor runs again.

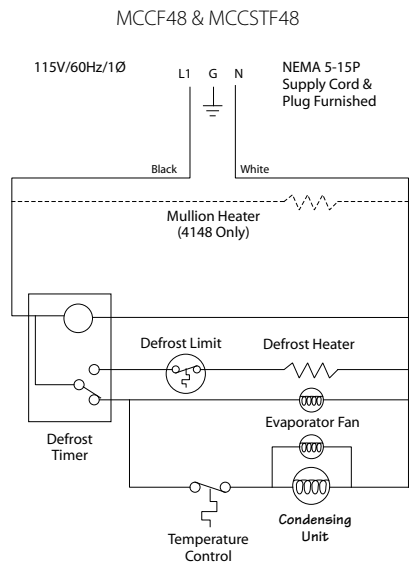
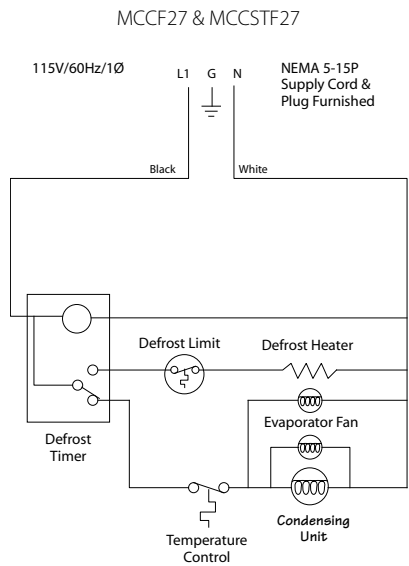
Freezers: During the refrigeration cycle the timer supplies power to the temperature control (for power to the condensing unit) and evaporator fan motors. The evaporator fans will run at any time when the compressor is running, they will also cycle off during door openings and during a defrost period. The door switch will activate the lights when opened and turn power off to the evaporator fan motors.

See Defrost Cycle

Wiring Diagram Refrigerators



Wiring Diagram Freezers



Replacement Parts List

MCCSTR27/MCCR27

Part #	Description
3234025	3" Caster, brake
3234024	3" Caster, no brake
3234160	5" Caster, no brake
3234161	5" Caster, brake
3234791	6" Leg
000-B3I-0031	27" Door, left hand
000-B3I-0030	27" Door, right hand
0074057	Capillary tube (.044 id x 144")
3526997	Compressor
3516446	Compressor relay
2194787	Compressor start capacitor
0053452	Condensate evap heater only
0330154	Cond evap pan assy with heater
3516275	Condenser coil
3516172	Condenser fan blade, clear lexan
2162691	Condenser fan motor
1702623	Door gasket
3516116	Evaporator coil
3516172	Evaporator fan blade, clear lexan
2162691	Evaporator fan motor
3516321	Filter drier
3237569	Hinge, Btm LT, McDonalds
3237563	Hinge, Btm RT, McDonalds
3237516	Hinge, Cartridge, McDonalds
3237568	Hinge, Top LT, McDonalds
3237562	Hinge, Top RT, McDonalds
0420067	Hinge kit (left or right hinged)
3978030	Shelf
5189779	Shelf clip
2194759KT	Temperature control (Includes control, knob, and dial plate)
2194761	Temperature control knob

MCCSTF27/MCCF27

Part #	Description
3234025	3" Caster, brake
3234024	3" Caster, no brake
3234160	5" Caster, no brake
3234161	5" Caster, brake
3234791	6" Leg
000-B3I-0031	27" Door, left hand
000-B3I-0030	27" Door, right hand
0074058	Capillary tube (.036 id x 168")
3526996	Compressor
3516446	Compressor relay
2194787	Compressor start capacitor
158-B4Z-0034	Condensate evap heater only
0330154T	Cond evap pan assy with heater
3516275	Condenser coil
3516172	Condenser fan blade, clear lexan
3516173	Condenser fan guard
2162715	Condenser fan motor
2194744	Defrost heater
3516156	Defrost timer
1702623	Door gasket
3516418	Evaporator Coil
3516172	Evaporator fan blade, clear lexan
3516173	Evaporator fan guard
2162691	Evaporator fan motor
3516321	Filter Drier
3978055	Heater guard, 18"
0420067	Hinge kit (left or right hinged)
3978030	Shelf
5189779	Shelf clip
3516043	Temperature control

Replacement Parts List continued

MCCSTR48/MCCR48

Part #	Description
3234025	3" Caster, brake
3234024	3" Caster, no brake
3234160	5" Caster, no brake
3234161	5" Caster, brake
3234791	6" Leg
000-B3I-0035	24" Door, left hand
000-B3I-0034	24" Door, right hand
0074057	Capillary tube (.044 id x 144")
3526997	Compressor
3516446	Compressor relay
2194787	Compressor start capacitor
0053452	Condensate evap heater only
0330154	Cond evap pan assy with heater
3516275	Condenser coil
3516172	Condenser fan blade, clear lexan
3516173	Condenser fan guard
2162691	Condenser fan motor
1702622	Door gasket
3516116	Evaporator coil
3516172	Evaporator fan blade, clear lexan
3516173	Evaporator fan guard
2162691	Evaporator fan motor
3516321	Filter drier
0420067	Hinge kit (left or right hinged)
3978033	Shelf
2194759KT	Temperature control (Includes control, knob and dial plate)
2194761	Temperature control knob

MCCSTF48/MCCF48

Part #	Description
3234025	3" Caster, brake
3234024	3" Caster, no brake
3234160	5" Caster, no brake
3234161	5" Caster, brake
000-B3I-0035	24" Door, left hand
000-B3I-0034	24" Door, right hand
3234791	6" Leg
0074058	Capillary tube (.036 id x 168")
3527000	Compressor
158-B4Z-0034	Condensate evap heater only
0330154T	Cond evap pan assy with heater
3516276	Condenser coil
3516172	Condenser fan blade, clear lexan
2162715	Condenser fan motor
2194774	Defrost heater
3516156	Defrost timer
1702622	Door gasket
3516418	Evaporator coil
3517356	Evaporator fan blade, black
3516173	Evaporator fan guard
2162715	Evaporator fan motor
3516321	Filter drier
3978055	Heater guard, 18"
0420067	Hinge kit (left or right hinged)
3978033	Shelf
3516044	Thermostat, Mechanical, Freezer

Standard Labor Guidelines To Repair Or Replace Parts On McCall Equipment

Advice and recommendations given by McCall Service Technicians do not constitute or guarantee any special coverage.

- A maximum of 1-hour is allowed to **diagnose a defective component**.
- A maximum of 1-hour is allowed for **retrieval of parts** not in stock.
- A maximum **travel distance** of 100 miles round trip and 2-hours will be reimbursed.
- Overtime, installation/start-up, normal control adjustments, general maintenance, glass breakage, freight damage, and/or correcting and end-user installation error will not be reimbursed under warranty unless pre-approved with a **Service Work Authorization** from McCall. You must submit the number with the service claim.

Labor Of 1-Hour Is Allowed To Replace:

- Thermostat
- Infinite Switch
- Door Jam Switch
- Solenoid Coil
- Hi-limit/Thermal Protector Switch
- Fan Delay/Defrost Termination Switch
- Compressor Start Components and Overload Protector
- Defrost Timer
- Thermometer
- Gear Box
- Contractor/Relay
- Transformer
- Evaporator/Condenser Fan Motor and Blade
- Circulating Fan Motor and Blade
- Microprocessor Control
- Water Level Sensor/Probe
- Door Hinges, Locks, and Gaskets
- Condensate Element
- Springs/Lowerator

Labor Of 2 Hours To Replace:

- Drawer Tracks/Cartridges
- Pressure Control
- Solenoid Valve
- Defrost Element
- Heating Element
- Locate/Repair Leak

Labor Of 3 Hours To Replace:

- EPR or CPR Valve
- Expansion Valve
- Condenser or Evaporator Coil

Labor Of 4 Hours To Replace:

- Compressor

This includes recovery of refrigerant and leak check.

\$55.00 maximum reimbursement for refrigerant recovery (includes recovery machine, pump, torch, oil, flux, minor fittings, solder, brazing rod, nitrogen, or similar fees.)

Refrigerants:

- R22 A maximum of \$4.00/lb. or 25¢/oz. will be reimbursed.
- R134A A maximum of \$5.00/lb. or 31¢/oz. will be reimbursed.
- R404A A maximum of \$15.00/lb. or \$1.00/oz. will be reimbursed.

Manufacturers Limited Lifetime Warranty

McCall warrants to the original purchaser-user, subject to the limitations and exclusions set forth below, that the ABS interior of the McCall models identified above will be free of manufactured defects for as long as the equipment is owned by the original purchaser-user and is in operation.

What is covered.

The interior liner is covered against manufactured defects under normal use. For purposes of this Warranty, interior liner is defined as the portion of the interior liner which is made of ABS material. This warranty applies only to products sold and installed after March 1, 2000 in the United States, Canada, Puerto Rico, and Mexico. For purposes of this warranty, lifetime is defined as the expected usable life for the equipment of 12 years.

McCall's Obligation

Limited strictly to shipping OEM replacement parts or repair kits for any covered ABS interior. A McCall authorized service dealer and McCall's Service Department must confirm the liner defect has occurred under normal conditions and is not due to misuse as defined below. All decisions regarding the ABS interior shall be made by McCall's Service Department and shall be binding upon the parties. No labor or service charges or allowances are covered by this warranty. Warranty service must be performed by a McCall approved authorized service agent.

User Responsibility

The product must be installed, cleaned and maintained as described in the Service and Installation manual which is furnished with the product. Only approved replacement parts may be used. Failure to adhere to the requirements of this paragraph may void warranty coverage.

Procedures

All claims for replacement parts or repair kits must be made through a McCall Parts Depot or an authorized McCall dealer. The defective part invoice must be returned to McCall within 15 days after the date of service to be eligible for warranty coverage. All claims must include the model number, serial number, an original date of installation and customer identification. Use of parts other than original McCall replacement parts will not be covered.

Exclusions

This warranty does not cover labor, service, charges for travel time, mileage, or premium charges. This warranty also does not include defects resulting from:

- Operation of the product beyond the specification set forth in the Service and Installation Manual.
- Failure to clean and maintain the product as described in the Service and Installation Manual.
- Installation of the product in a manner other than as set forth in the Service and Installation.
- Use of installation of replacement parts not approved by McCall; or
- The introduction hot items directly onto the ABS liner.

This warranty is in lieu of all other warranties or guarantees of any kind, express or implied, except McCall's One Year Parts and Labor Warranty. ANY IMPLIED WARRANTIES OR MERCHANTABILITY OR FITNESS FOR A PARTICULAR PURPOSE ARE HEREBY DISCLAIMED AND EXCLUDED. IN NO EVENT SHALL McCall BE LIABLE FOR INCIDENTAL OR CONSEQUENTIAL DAMAGES OF ANY KIND OR NATURE, OR FOR ANY DEFECT RESULTING IN WHOLE OR IN PART FROM MISUSE, ALTERATION, IMPROPER INSTALLATION OR INADEQUATE MAINTENANCE OF THE PRODUCT OR ANY PART THEREOF.

No part or assembly which has been subject to accident, alteration or misuse, or which has not been installed or serviced in accordance with the Operation Manual furnished with the product, or which is from equipment on which the serial number has been altered or removed, shall be covered by this warranty.

Standard One Year Warranty (One year parts and labor.)

McCall warrants to the Original Purchaser of the McCall product (herein called the "Unit") that such Unit, and all parts thereof, will be free from defects in material and workmanship under normal use and service for a period of one (1) year from the date of shipment of the Unit to the Original Purchaser **or, if the Original Purchaser returns the warranty card completely filled out including the date of installation within thirty (30) days of receipt of the Unit, one (1) year from the date of installation.** During this one year warranty period, McCall will repair or replace any defective part or portion there of returned to McCall by the Original Purchaser which McCall determines was defective due to faulty material or workmanship. During this one year warranty period, McCall will pay labor, crating and freight incurred in the removal of the Unit or defective component and shipment to McCall. Reimbursement is subject to the following limitations: A maximum of 1-hour is allowed to diagnose a defective component; A maximum of 1-hour is allowed for retrieval of parts not in stock; A maximum travel distance of 100 miles round trip and 2-hours will be reimbursed. Overtime, installation/start-up, normal control adjustments, general maintenance, glass breakage, freight damage, and/or correcting an end-user installation error will not be reimbursed under warranty unless pre-approved with a Service Work Authorization from McCall. McCall will pay the return costs if the Unit or part thereof was defective.

The term "Original Purchaser" as used herein means that person, firm, association, or corporation for whom the Unit was originally installed.

This warranty does not apply to any Unit or part thereof that has been subjected to misuse, neglect, alteration, or accident, such as accidental damage to the exterior finish, operated contrary to the recommendations specified by McCall; or repaired or altered by anyone other than McCall in any way so as to, in McCall's sole judgement, affect its quality or efficiency. This warranty does not apply to any Unit that has been moved from the location where it was originally installed. This warranty also does not cover the refrigerator drier or the light bulbs used in the Unit. **The warranty is subject to the user's normal maintenance and care responsibility as set forth in the Service and Installation Manual, such as cleaning the condenser coil, and is in lieu of all other obligations of McCall. McCall neither assumes, nor authorizes any other person to assume for McCall, any other liability in connection with McCall's products.**

Removal or defacement of the original Serial Number or Model Number from any Unit shall be deemed to release McCall from all obligations hereunder or any other obligations, express or implied.

Parts furnished by suppliers to McCall are guaranteed by McCall only to the extent of the original manufacturer's express warranty to McCall. Failure of the Original Purchaser to receive such manufacturers warranty shall in no way create any warranty, expressed or implied, or any other obligation or liability on McCall's part in respect thereof.

IF THE CUSTOMER IS USING A PART THAT RESULTS IN A VOIDED WARRANTY AND A McCall AUTHORIZED REPRESENTATIVE TRAVELS TO THE INSTALLATION ADDRESS TO PERFORM WARRANTY SERVICE, THE SERVICE REPRESENTATIVE WILL ADVISE CUSTOMER THE WARRANTY IS VOID. SUCH SERVICE CALLS WILL BE BILLED TO CUSTOMER AT THE AUTHORIZED SERVICE CENTER'S THEN APPLICABLE TIME AND MATERIALS RATES. CONSIDER: CUSTOMER MAY INITIATE A SERVICE AGREEMENT WITHOUT PARTS COVERAGE.

If shipment of a replacement part is requested prior to the arrival in the McCall factory of the part claimed to be defective, the Original Purchaser must accept delivery of the replacement part on a C.O.D. basis, with credit

being issued after the part has been received and inspected at McCall's plant and determined by McCall to be within this warranty.

Under no condition does this warranty give the Original Purchaser the right to replace the defective Unit with a complete Unit of the same manufacturer or of another make. Unless authorized by McCall in writing, this warranty does not permit the replacement of any part, including the motor-compressor, to be made with the part of another make or manufacturer.

No claims can be made under this warranty for spoilage of any products for any reason, including system failure.

The installation contractor shall be responsible for building access, entrance and field conditions to insure sufficient clearance to allow any hood(s), vent(s), or Unit(s) if necessary, to be brought into the building. McCall will not be responsible for structural changes or damages incurred during installation of the Unit or any exhaust system.

McCall shall not be liable in any manner for any default or delay in performance hereunder caused by or resulting from any contingency beyond McCall's control, including, but not limited to, war, governmental restrictions or restraints, strike, lockouts, injunctions, fire, flood, acts of nature, short or reduced supply of raw materials, or discontinuance of the parts by the original part manufacturer.

Except as provided in any Additional Four Year Protection Plan, if applicable, and the Service Labor Contract, if applicable, the foregoing is exclusive and in lieu of all other warranties, whether written or oral, express or implied. This warranty supersedes and excludes any prior oral or written representations or warranties. McCall expressly disclaims any implied warranties of merchantability, fitness for a particular purpose or compliance with any law, treaty, rule or regulation relating to the discharge of substances into the environment. The sole and exclusive remedies of any person relating to the Unit, and the full liability of McCall for any breach of this warranty, will be as provided in this warranty.

Other than this McCall Standard One Year Limited Warranty, any applicable McCall Additional Four Year Protection Plan or applicable McCall Service Labor Contract, the Original Purchaser agrees and acknowledges that no other warranties are offered or provided in connection with or for the Unit or any other part thereof.

In no event will McCall be liable for special, incidental or consequential damages, or for damages in the nature of penalties.

IF DURING THE WARRANTY PERIOD, CUSTOMER USES A PART FOR THIS McCall EQUIPMENT OTHER THAN AN UNMODIFIED NEW OR RECYCLED PART PURCHASED DIRECTLY FROM McCall OR ANY OF ITS AUTHORIZED SERVICE CENTERS AND/OR THE PART BEING USED IS MODIFIED FROM ITS ORIGINAL CONFIGURATION, THIS WARRANTY WILL BE VOID. FURTHER, McCall AND ITS AFFILIATES WILL NOT BE LIABLE FOR ANY CLAIMS DAMAGES OR EXPENSES INCURRED BY THE CUSTOMER WHICH ARISE DIRECTLY OR INDIRECTLY, IN WHOLE OR IN PART, DUE TO THE INSTALLATION OF ANY MODIFIED PART AND/OR PART RECEIVED FROM AN UNAUTHORIZED SERVICE CENTER. If the warranty becomes void, Customer may purchase from McCall, if available, a Service Agreement or service at the then current time and materials rate.

For more information on McCall warranty's log on and check out the service section of our web site at www.mccallrefrigeration.com.

McCALL®

Thank you for choosing McCall!

Help is a phone call away. Help our team of professional, courteous customer service reps by having your model number and serial number available at the time of your call (888) 732-2446.

Model: _____ S/N: _____

Installation Date: _____

For a list of McCall's authorized parts depots,
visit our website at www.mccallrefrigeration.com.

McCALL®

980 S. Isabella Rd., Mt. Pleasant, MI 48858, U.S.A. • (888) 732-2446 • Fax (800) 669-0619 • www.mccallrefrigeration.com
McCall reserves the right to make changes in design or specifications without prior notice. ©2010 McCall. All rights reserved. Printed in the U.S.A.

DMMCWorkTables 06/10
9294370